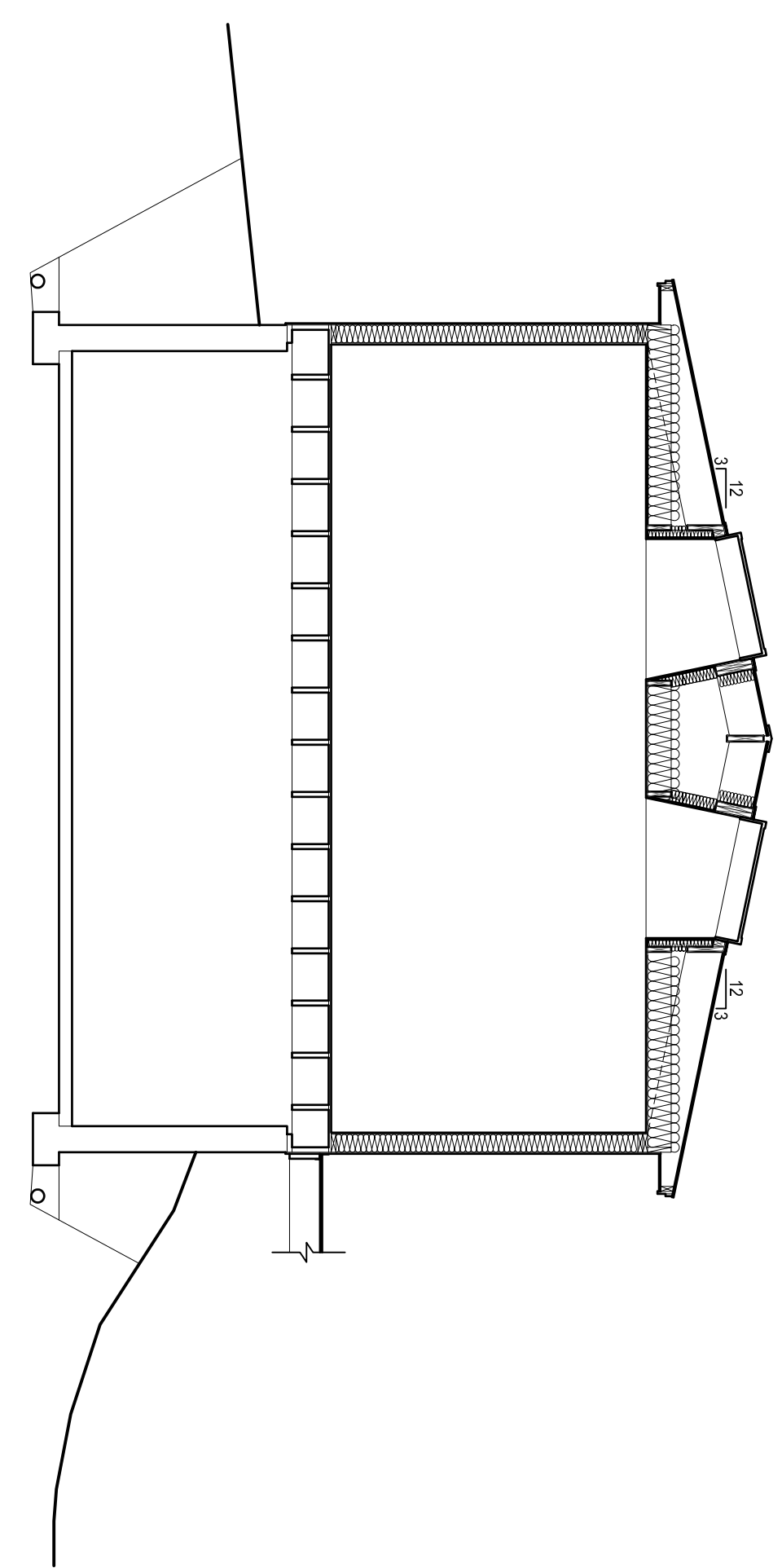
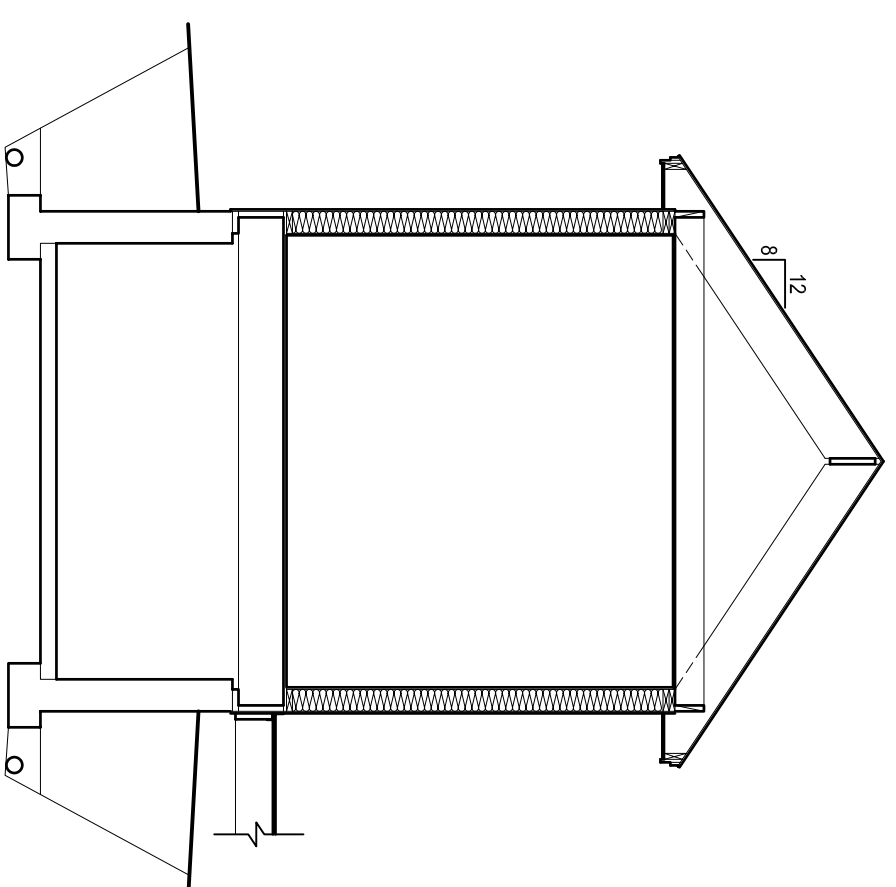


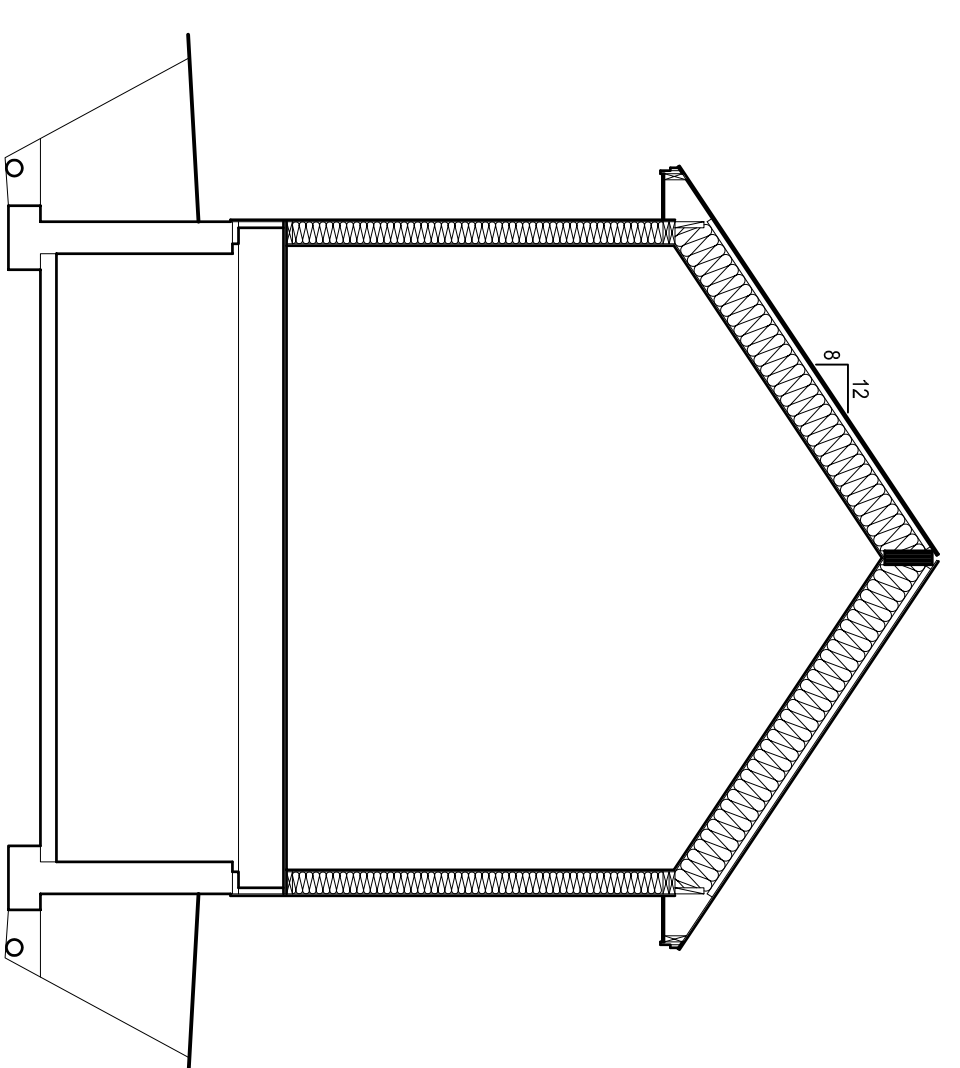
4 SECTION AAA
SCALE: 1/4" = 1'-0"



3 SECTION B-B
SCALE: 1/4" = 1'-0"



2 SECTION C-C
SCALE: 1/4" = 1'-0"



1 SECTION D-D
SCALE: 1/4" = 1'-0"

REVISIONS DATE

PROJECT NUMBER

PROPOSED ADDITIONS TO THE:
MACDONALD RESIDENCE
CARIBOU ROAD PORTLAND, MAINE

D'ANGELO ASSOCIATES
ARCHITECTURE + LANDSCAPES
P.O.B. 1480 / 65 ELLSWORTH ROAD
BLUE HILL, ME 04614
207.374.9940

SECTIONS

DATE: (8/12/09)
SCALE: AS NOTED
DRAWN: NJD
CHECKED: NJD

A3

CONSTRUCTION / PERMIT SET